

Stainless Steel Electrical Deep Fryer

Premier Model

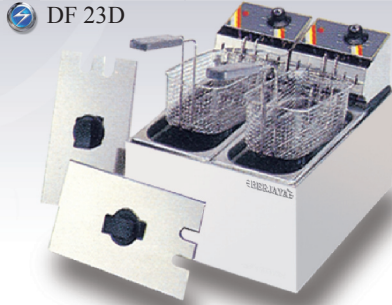
IEC
Manufactured to comply with
International Safety Standards
IEC = International
Electrical Commission
IEC 335-1
IEC 60335-2-38:2003



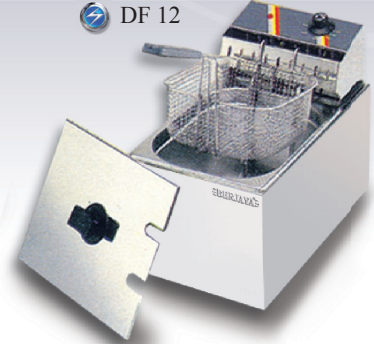
DF 13



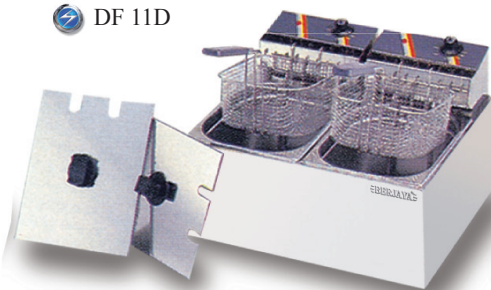
DF 23D



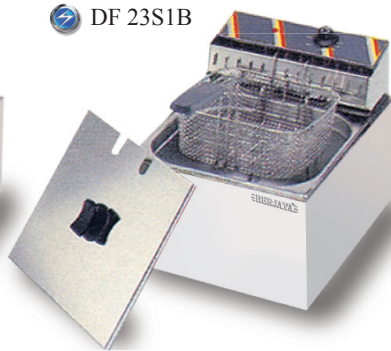
DF 12



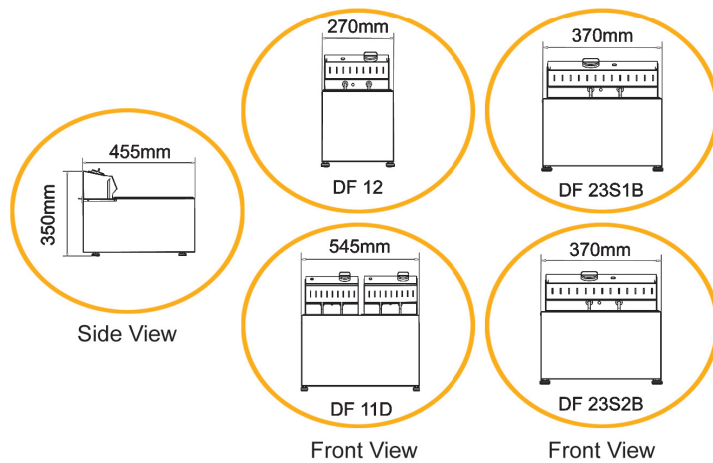
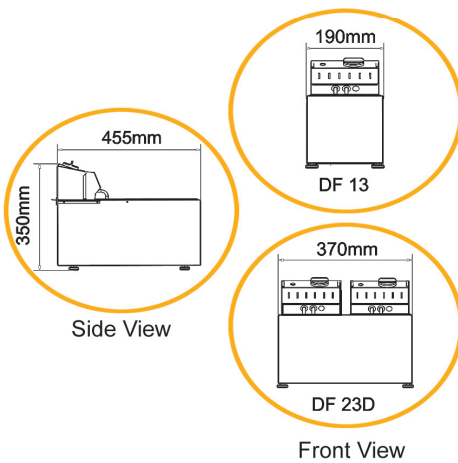
DF 11D



DF 23S1B



DF 23S2B



- Thermostatically controlled to required temperature.
- Flip up control panel for easy cleaning.
- Stainless steel exterior design, hygienic & easy to keep clean.
- Basket with insulated handle hygienic and long lasting.
- Pilot light.
- Stainless steel oil pan (200 mm depth).
- Basket support for dripping (support to control panel).
- Over heat reset switch - prevents over heating.

Model	Pan Capacity (Litres)	Product Dimension (L x W x H) (mm)	Packing Dimension (L x W x H) (mm)	Basket Dimension (L x W x H) (mm)	Weight (kg)	Thawad Chips Production (kg / Hr)	Power (kW)	Packing Volume (m ³)	Voltage, Frequency (V, Hz)
DF 13	3	190 x 455 x 350	500 x 240 x 420	145 x 250 x 100	5.5	6	2.4	0.05	220~240, 50 / 60
DF 23D	3 x 2	370 x 455 x 350	520 x 425 x 420	145 x 250 x 100	10	12	2 x 2.4	0.09	
DF 12	5	270 x 455 x 350	500 x 325 x 420	220 x 250 x 100	7	11	3.0	0.07	
DF 11D	5 x 2	545 x 455 x 350	605 x 515 x 410	220 x 250 x 100	13	20	2 x 3.0	0.13	
DF 23S1B	8	370 x 455 x 350	520 x 425 x 420	275 x 250 x 100	8	11	3.0	0.06	
DF 23S2B	8	370 x 455 x 350	520 x 425 x 420	145 x 250 x 100	8.5	11	3.0	0.06	