

Family
COOKING EQUIPMENT STAR 90

Section
BASE UNITS

Model
NBV98

Code
CR0591340

800 MM BASE UNIT

Base unit constructed in AISI 304 stainless steel. Height adjustable feet in stainless steel.



Technical data

Width mm:	800	Internal dim. oven mm:	
Depth mm:	765	Oven capacity:	
Height mm:	620	Oven power kW:	
Weight kg.:	23.00	Qty heating zones:	
Volume m ³ :	0.50	Plate dim. mm:	
Power supply:		Dim. heating zone mm:	
Gas power kW:		Qty tank:	
Electric power kW:		Tank dim. mm:	
		Tank capacity l:	

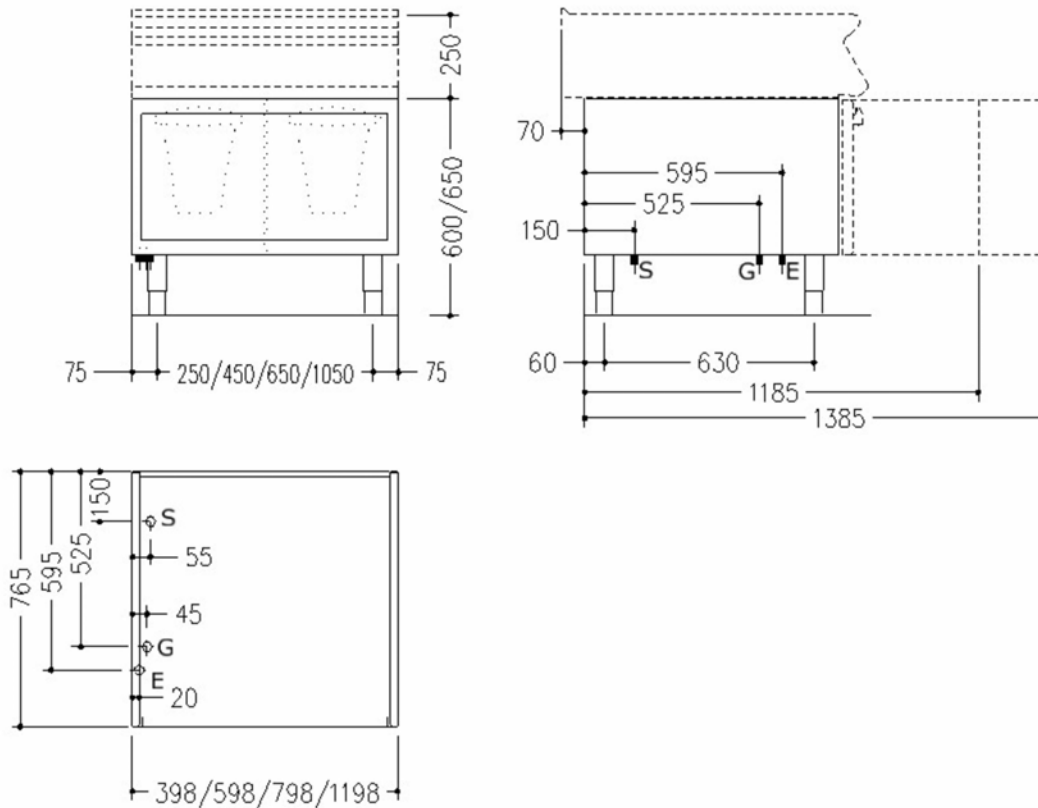
Family
COOKING EQUIPMENT STAR 90

Section
BASE UNITS

Model
NBV98

Code
CR0591340

800 MM BASE UNIT



Legend

(E) Socket 1:

(E) Socket 2:

(G) Gas:

(AD) Softened water:

(AF) Cold water:

(AC) Hot water:

(S) Draining:

(FR) In e out freon:

(V) Steam: