

**Family**  
COOKING EQUIPMENT ICHEF

**Section**  
BASE UNITS

**Model**  
NBV94

**Code**  
CR0591320

## 400 MM BASE UNIT

Base unit constructed in AISI 304 stainless steel. Height adjustable feet in stainless steel.



### Technical data

Width mm:	400	Internal dim. oven mm:	
Depth mm:	765	Oven capacity:	
Height mm:	620	Oven power kW:	
Weight kg.:	17.00	Qty heating zones:	
Volume m <sup>3</sup> :	0.25	Plate dim. mm:	
Power supply:		Dim. heating zone mm:	
Gas power kW:		Qty tank:	
Electric power kW:		Tank dim. mm:	
		Tank capacity l:	

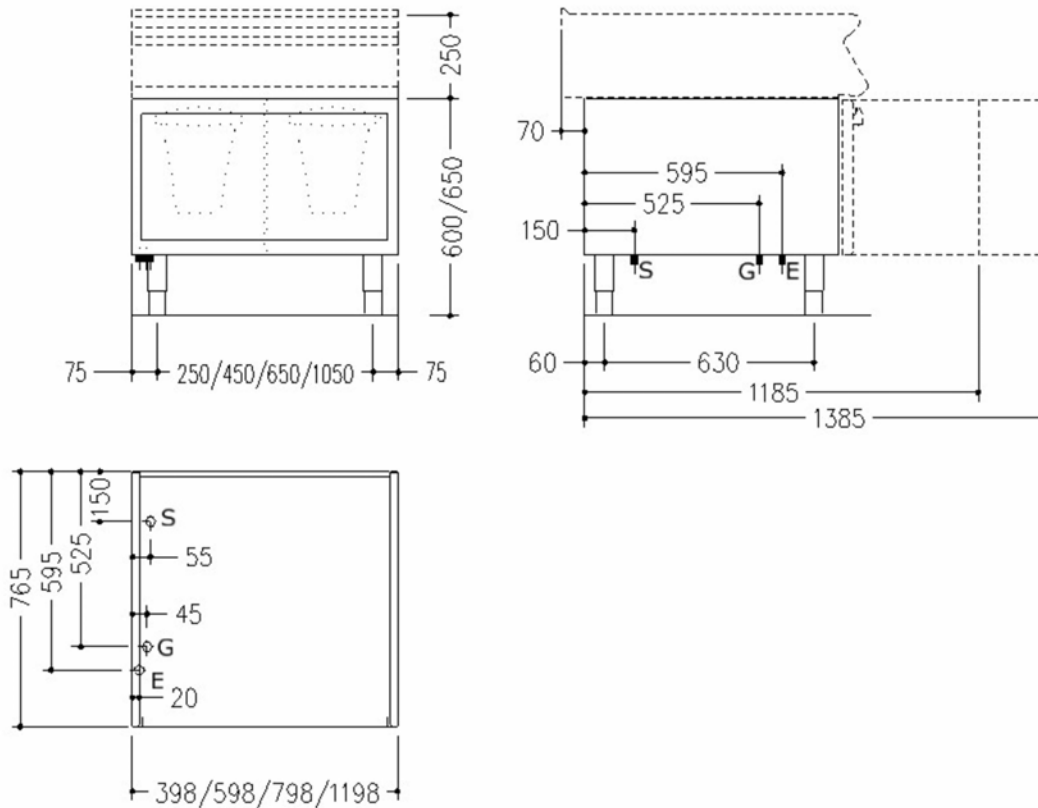
Family  
COOKING EQUIPMENT ICHEF

Section  
BASE UNITS

Model  
NBV94

Code  
CR0591320

400 MM BASE UNIT



**Legend**

(E) Socket 1:

(E) Socket 2:

(G) Gas:

(AD) Softened water:

(AF) Cold water:

(AC) Hot water:

(S) Draining:

(FR) In e out freon:

(V) Steam: