

Project : ELAF JEDDAH HOTEL

Area :

Mezzanine - Banquet Cafeteria Kitchen

Ref	Description	Qty	Brand	Model	Made
BCK 19	Gas Quick Boiling Kettle 100 Itr w/ Mixing Tap R 3/4"	1	COBALT BY MARENO	NP198G10	ITALY

Family
COOKING EQUIPMENT STAR 90

Section
BOILING PANS SINGLE JACKET AND DOUBLE WATER JAC

Model
NPI98G10

Code
CR0590900

100-LITRE INDIRECT HEAT GAS BOILING PAN.

Indirect heat gas boiling pan constructed in AISI 304 stainless steel. Top in 20/10 thick AISI 304 stainless steel. Kettle bottom in polished AISI 316L stainless steel, walls in AISI 304 stainless steel. 100-litre kettle capacity. Filling with hot or cold water through solenoid valve activated by a switch, fixed water tap located on top. 2" safety drain tap with grip in heatproof material. Counter-balanced lid with 90° opening and handle offering front and side grip. Indirect heating with low-pressure steam generated by the water in the jacket: safe and easy operation thanks to pressure gauge, safety valve and compensating valve. Innovative control system with "no water" warning light; heating restarts after the water level in the jacket has been restored. Indirect heating with AISI 304 stainless steel burners positioned outside the jacket. Gas safety valve with electric ignition on front panel. Thick insulating panels for thermal insulation of kettle. Temperature controlled by an energy regulator. Indicator leds for verifying correct appliance operation. Diameter of kettle 600 mm. Model equipped with safety thermostat with reset button accessible to the user. Height adjustable feet in stainless steel. IPX5 protection rating.



Technical data

Width mm:	800	Internal dim. oven mm:	
Depth mm:	900	Oven capacity:	
Height mm:	870	Oven power kW:	
Weight kg.:	140.00	Qty heating zones:	1 x 21 kW
Volume m ³ :	1.00	Plate dim. mm:	
Power supply:	VAC230 50Hz	Dim. heating zone mm:	
Gas power kW:	21.00	Qty tank:	
Electric power kW:	0.30	Tank dim. mm:	Ø595x448h
		Tank capacity l:	100

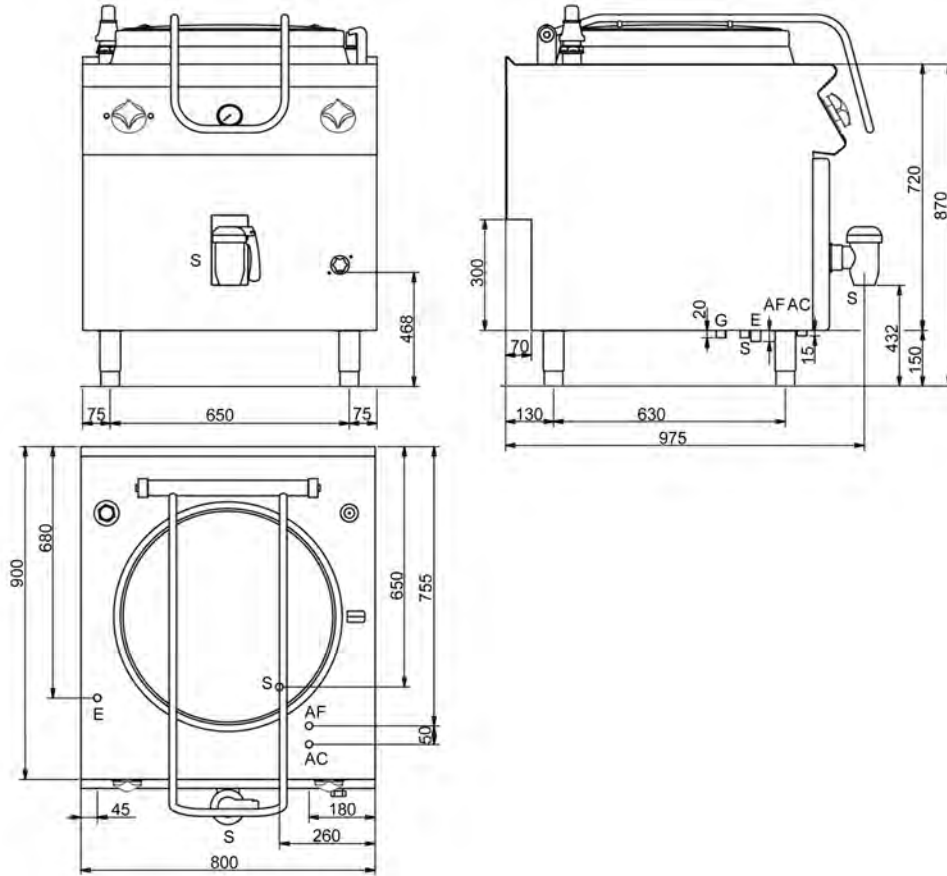
Family
COOKING EQUIPMENT STAR 90

Section
BOILING PANS SINGLE JACKET AND DOUBLE WATER JAC

Model
NPI98G10

Code
CR0590900

100-LITRE INDIRECT HEAT GAS BOILING PAN.



Legend

(E) Socket 1: Connection supply terminal floor level (+100mm). Spare cable 1500mm

(E) Socket 2:

(G) Gas: Ø1/2"- H=200mm

(AD) Softened water:

(AF) Cold water: Ø1/2"-H=200mm

(AC) Hot water: Ø1/2"-H=200mm

(S) Draining:

(FR) In e out freon:

(V) Steam: