

**Family**  
COOKING EQUIPMENT STAR 70

**Section**  
GAS AND ELECTRIC GRILL

**Model**  
NGPL74PG

**Code**  
CR0984100

## LAVA ROCK GRILL - 400

Counter-top lava rock grill in AISI 304 stainless steel. Heated by stable-flame steel burners with pilot burner and safety thermocouple. Gas supply controlled by gas tap with safety valve. The cooking grill has two height settings to ensure optimum grilling. Removable grease collection tray for easy cleaning. Supplied with rod grill.



### Technical data

Width mm:	400	Internal dim. oven mm:	
Depth mm:	730	Oven capacity:	
Height mm:	250	Oven power kW:	
Weight kg.:	39.00	Qty heating zones:	1 x 10 kW
Volume m <sup>3</sup> :	0.20	Plate dim. mm:	
Power supply:		Dim. heating zone mm:	380 x 485
Gas power kW:	10.00	Qty tank:	
Electric power kW:		Tank dim. mm:	
		Tank capacity l:	

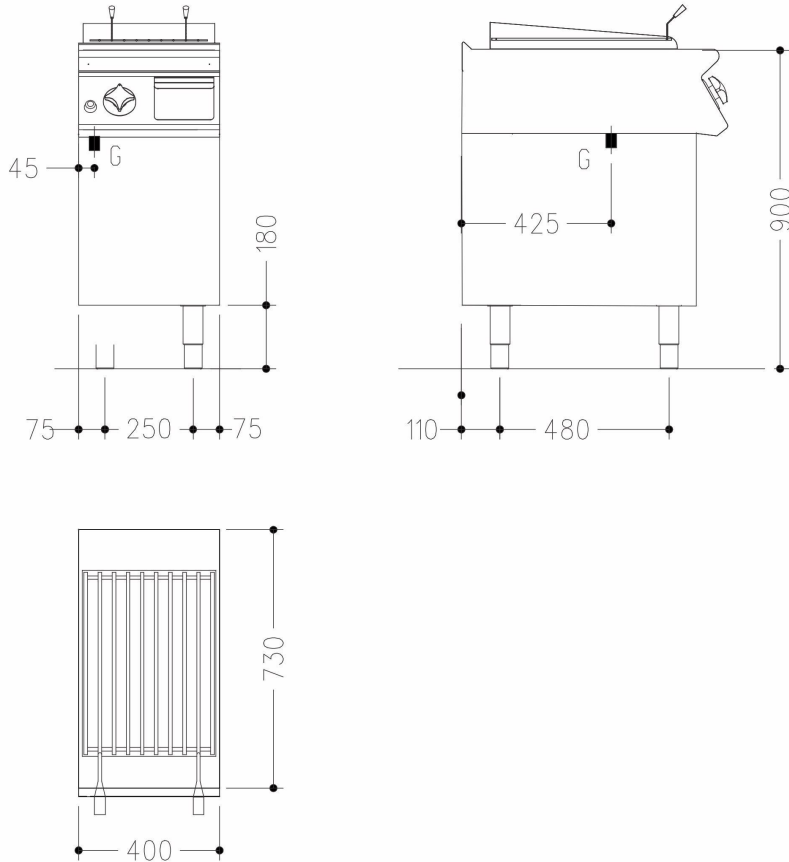
**Family**  
COOKING EQUIPMENT STAR 70

**Section**  
GAS AND ELECTRIC GRILL

**Model**  
NGPL74PG

**Code**  
CR0984100

**LAVA ROCK GRILL - 400**



**Legend**

(E) Socket 1:

(E) Socket 2:

(G) Gas: Ø3/4" - H=670mm

(AD) Softened water:

(AF) Cold water:

(AC) Hot water:

(S) Draining 1:

(S) Draining 2:

(FR) In e out freon:

(V) Steam: