

Family
COOKING EQUIPMENT STAR 70

Section
BOILING PANS SINGLE AND DOUBLE JACKET

Model
NPI78E8
Code
CR0598870

80-LITRE INDIRECT HEAT ELECTRIC BOILING PAN.

Indirect heating electric pot constructed in AISI 304 stainless steel. Top in 15/10 thick AISI 304 stainless steel. Receptacle bottom in polished AISI 316L stainless steel, walls in AISI 304 stainless steel. 80-litre kettle capacity. Filling with hot or cold water through solenoid valve activated by a switch, fixed water tap located on top. 1 1/2 safety drain tap with grip in heatproof material. Counter-balanced lid with 90° opening and handle offering front grip. Indirect heating with low-pressure steam generated by the water in the jacket: safe and easy operation thanks to pressure gauge, safety valve and compensating valve. Innovative control system with no water warning light; heating restarts after the water level in the jacket has been restored. Indirect heating with armoured heating elements inside the jacket. Thick insulating panels for thermal insulation of kettle. Temperature controlled by an energy regulator. Indicator leds for verifying correct appliance operation. Receptacle diameter: 500 mm. Model equipped with safety thermostat with reset button accessible to the user. Height adjustable feet in stainless steel.



Technical data

Width mm:	800	Internal dim. oven mm:	
Depth mm:	730	Oven capacity:	
Height mm:	870	Oven power kW:	
Weight kg.:	99.00	Qty heating zones:	1 x 16,4 kW
Volume m ³ :	0.80	Plate dim. mm:	
Power supply:	VAC400 3N 50/60Hz	Dim. heating zone mm:	
Gas power kW:		Qty tank:	1
Electric power kW:	16.40	Tank dim. mm:	396x465
		Tank capacity l:	50

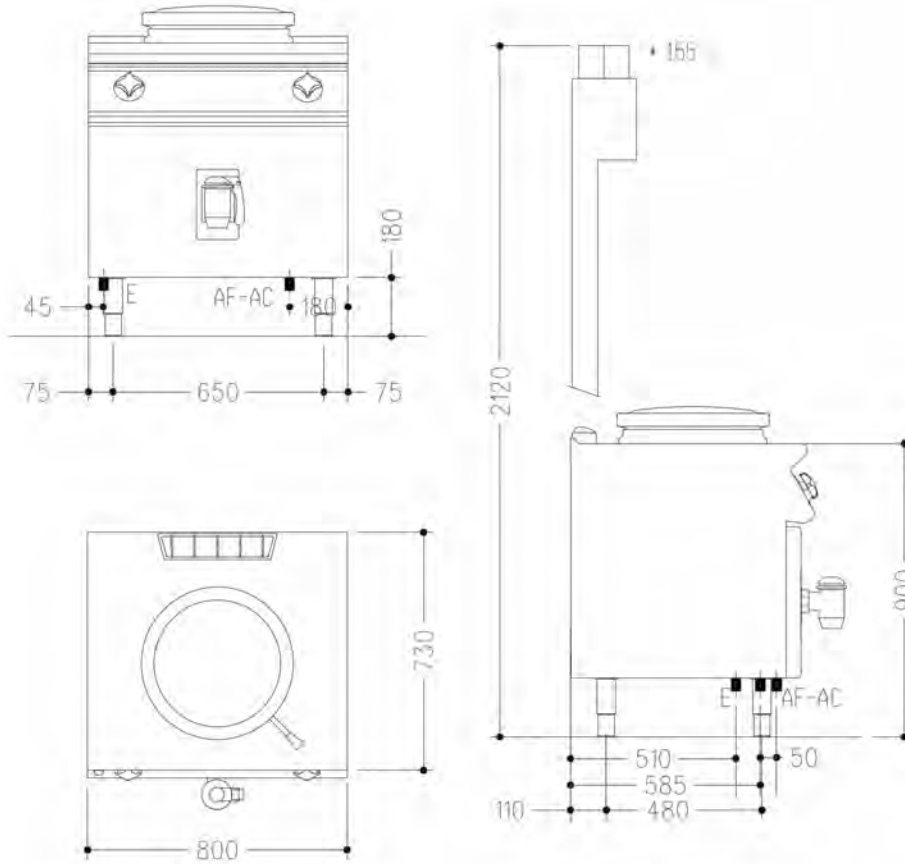
Family
COOKING EQUIPMENT STAR 70

Section
BOILING PANS SINGLE AND DOUBLE JACKET

Model
NPI78E8

Code
CR0598870

80-LITRE INDIRECT HEAT ELECTRIC BOILING PAN.



Legend

(E) Socket 1: Connection supply terminal floor level (+100mm). Spare cable 1500mm

(E) Socket 2:

(G) Gas:

(AD) Softened water:

(AF) Cold water: Ø1/2"-H=200mm

(AC) Hot water: Ø1/2"-H=200mm

(S) Draining:

(FR) In e out freon:

(V) Steam: