

Family
COOKING EQUIPMENT STAR 70

Section
GAS AND ELECTRIC PASTA COOKERS

Model
NPC78E

Code
CR0598840

28+28 LITRE TWO WELL ELECTRIC PASTA COOKER

Electric pasta cooker with two wells constructed in AISI 304 stainless steel. 1.5 mm thick pressed top with spillage recess and extended expansion zone. Deep drawn wells in AISI 316 polished stainless steel with radiused bottom for ease of cleaning. Water loading by means of solenoid valve activated by switch on control panel. Fast filling and top-up options. Safety guaranteed by a pressure switch, which prevents heating if well is empty. Swivelling water tap located on the rear. Armoured immersion-type heating elements for optimized performance, foldable to facilitate well cleaning. Precise heating control by means of energy regulator. 28+28-litre well capacity. Well dimensions: 310x340x275h mm Water drain tap mounted externally on the front panel. Height adjustable feet in stainless steel.



Technical data

Width mm:	800	Internal dim. oven mm:	
Depth mm:	730	Oven capacity:	
Height mm:	870	Oven power kW:	
Weight kg.:	70.00	Qty heating zones:	2 x 5,6 kW
Volume m ³ :	0.80	Plate dim. mm:	
Power supply:	VAC400 3N 50Hz	Dim. heating zone mm:	
Gas power kW:		Qty tank:	2
Electric power kW:	11.20	Tank dim. mm:	310x340x275h
		Tank capacity l:	28 + 28

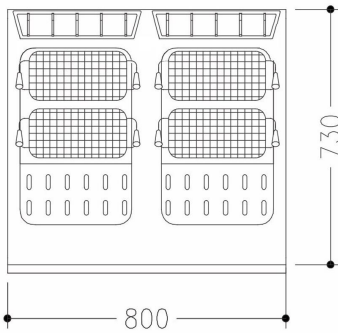
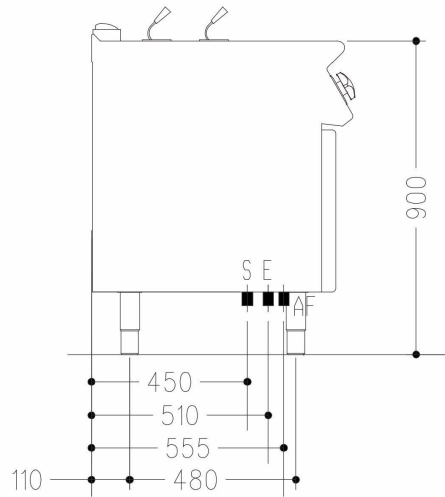
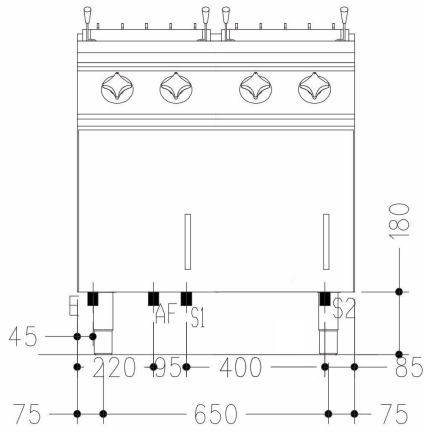
Family
COOKING EQUIPMENT STAR 70

Section
GAS AND ELECTRIC PASTA COOKERS

Model
NPC78E

Code
CR0598840

28+28 LITRE TWO WELL ELECTRIC PASTA COOKER



Legend

(E) Socket 1: Connection supply terminal floor level (+100mm). Spare cable 1500mm

(E) Socket 2:

(G) Gas:

(AD) Softened water:

(AF) Cold water: Ø1/2"-H=100mm.

(AC) Hot water:

(S) Draining 1: Ø1"-H=200mm

(S) Draining 2:

(FR) In e out freon:

(V) Steam: