

**Family**  
SELF-SERVICE / FREE-FLOW 867

**Section**  
REFRIGERATED UNITS DROP-IN

**Model**  
SDPR12

**Code**  
CR0515260

**DROP-IN UNIT WITH REFRIGERATED TOP. TANK CAPACITY 3 GN 1/1 CONTAINERS**

Drop-in unit with refrigerated top, depth 30 mm. capacity 3 GN 1/1 containers H=25 mm. Refrigerating unit with air condensation. Digital electronic thermostatic control, adjustable to 0 a +8°C, backlit main switch. Polyurethane foam insulation, density 50 kg/m<sup>3</sup> contained in a 40 mm thick countertank. AISI 304 stainless steel structure. Top with square edges, 12/10 thick, height 15 mm. Supplied with control panel.



**Technical data**

Width mm:	1080	Internal dim. oven mm:	
Depth mm:	650	Oven capacity:	
Height mm:	550	Oven power kW:	
Weight kg.:	83.00	Qty heating zones:	
Volume m <sup>3</sup> :	0.51	Plate dim. mm:	
Power supply:	VAC230 50Hz	Dim. heating zone mm:	
Gas power kW:		Qty tank:	
Electric power kW:	0.23	Tank dim. mm:	3 x GN 1/1 H=25 mm.
		Tank capacity l:	

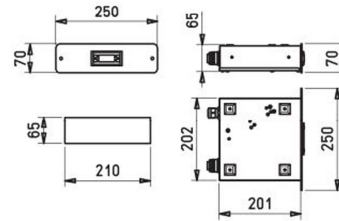
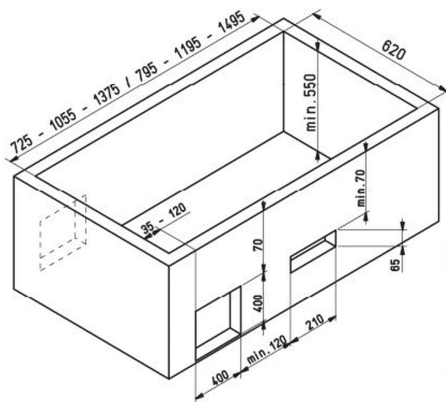
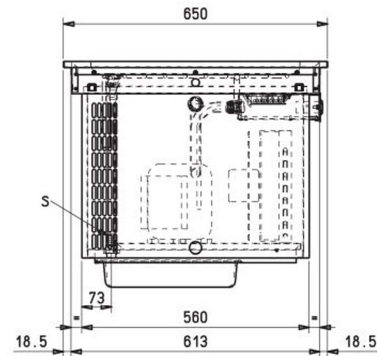
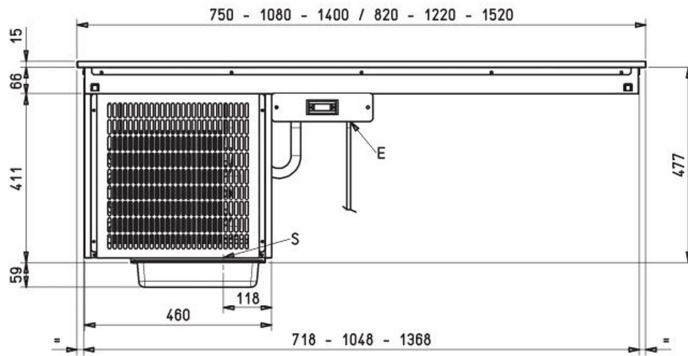
**Family**  
SELF-SERVICE / FREE-FLOW 867

**Section**  
REFRIGERATED UNITS DROP-IN

**Model**  
SDPR12

**Code**  
CR0515260

**DROP-IN UNIT WITH REFRIGERATED TOP. TANK CAPACITY 3 GN 1/1 CONTAINERS**



**Legenda - Legende - Key - Légende - Leyenda - Legenda**

**E** Ingresso linea elettrica - Eingang Stromversorgung - Electrical line entry -  
Entree de câble el. - Entrada de la línea eléctrica - Ingang elektricitetsleiding  
HO7 RNF 3 G 1,5

**S** Scarico acqua - Wasserablauf - Water drain - Vidange de l'eau - Desagüe -  
Waterafvoer EN ISO 228-1 G 3/4

**Legend**

(E) Socket 1: Connection supply terminal floor level (+100mm). Spare cable 1500mm

(E) Socket 2:

(G) Gas:

(AD) Softened water:

(AF) Cold water:

(AC) Hot water:

(S) Draining 1: Ø3/4

(S) Draining 2:

(FR) In e out freon:

(V) Steam: