

Family
SELF-SERVICE 700

Section
REFRIGERATED DROP-IN UNITS

Model
SDPR12

Code
CR0515260

DROP-IN UNIT WITH REFRIGERATED TOP. TANK CAPACITY 3 GN 1/1 CONTAINERS

Drop-in unit with refrigerated top, depth 30 mm. capacity 3 GN 1/1 containers H=25 mm. Refrigerating unit with air condensation. Digital electronic thermostatic control, adjustable to 0 a +8°C, backlit main switch. Refrigerant gas R452A. Polyurethane foam insulation, density 50 kg/m³ contained in a 40 mm thick countertank. AISI 304 stainless steel structure. Top with square edges, 12/10 thick, height 15 mm. Supplied with control panel.



Technical data

Width mm:	1080	Internal dim. oven mm:	
Depth mm:	650	Oven capacity:	
Height mm:	550	Oven power kW:	
Weight kg.:	83.00	Qty heating zones:	
Volume m ³ :	0.51	Plate dim. mm:	
Power supply:	VAC230 50Hz	Dim. heating zone mm:	
Gas power kW:		Qty tank:	
Electric power kW:	0.23	Tank dim. mm:	3 x GN 1/1 H=25 mm.
		Tank capacity l:	

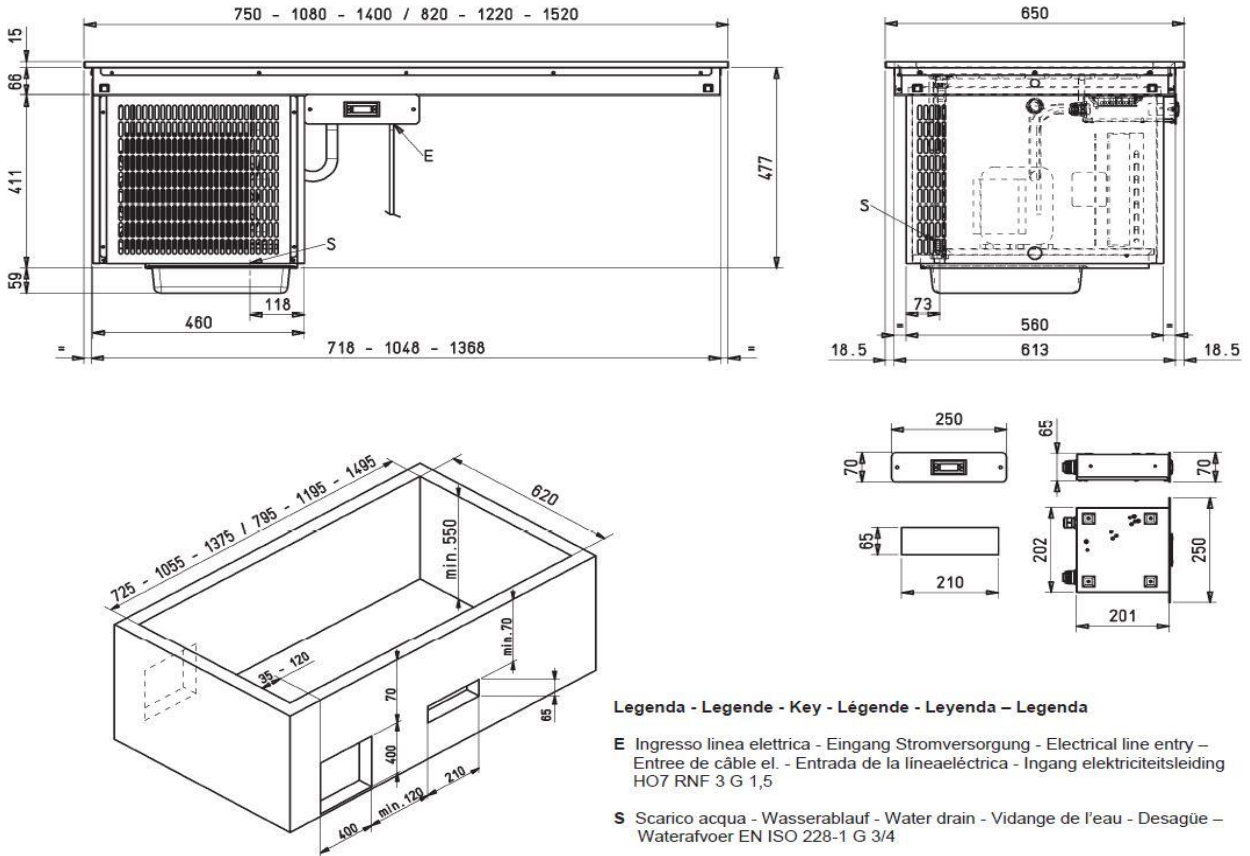
Family
SELF-SERVICE 700

Section
REFRIGERATED DROP-IN UNITS

Model
SDPR12

Code
CR0515260

DROP-IN UNIT WITH REFRIGERATED TOP. TANK CAPACITY 3 GN 1/1 CONTAINERS



Legenda - Legende - Key - Légende - Leyenda - Legenda

- E** Ingresso linea elettrica - Eingang Stromversorgung - Electrical line entry -
Entree de câble el. - Entrada de la línea eléctrica - Ingang elektricitetsleiding
HO7 RNF 3 G 1,5
- S** Scarico acqua - Wasserablauf - Water drain - Vidange de l'eau - Desagüe -
Waterafvoer EN ISO 228-1 G 3/4

The data reported in this document is to be considered non-binding. Mareno ALI Group Srl reserves the right to make changes at any time, without prior notice

Legend

(E) Socket 1: Connection supply terminal floor level (+100mm). Spare cable 1500mm

(E) Socket 2:

(G) Gas:

(AD) Softened water:

(AF) Cold water:

(AC) Hot water:

(S) Draining 1: Ø3/4

(S) Draining 2:

(FR) In e out freon:

(V) Steam: