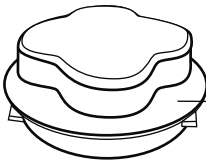


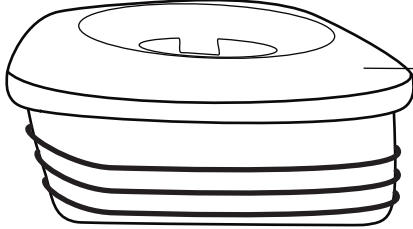


64 oz. Stackable Container with Lid Complete for MX Series Blenders

CAC95 - 033036



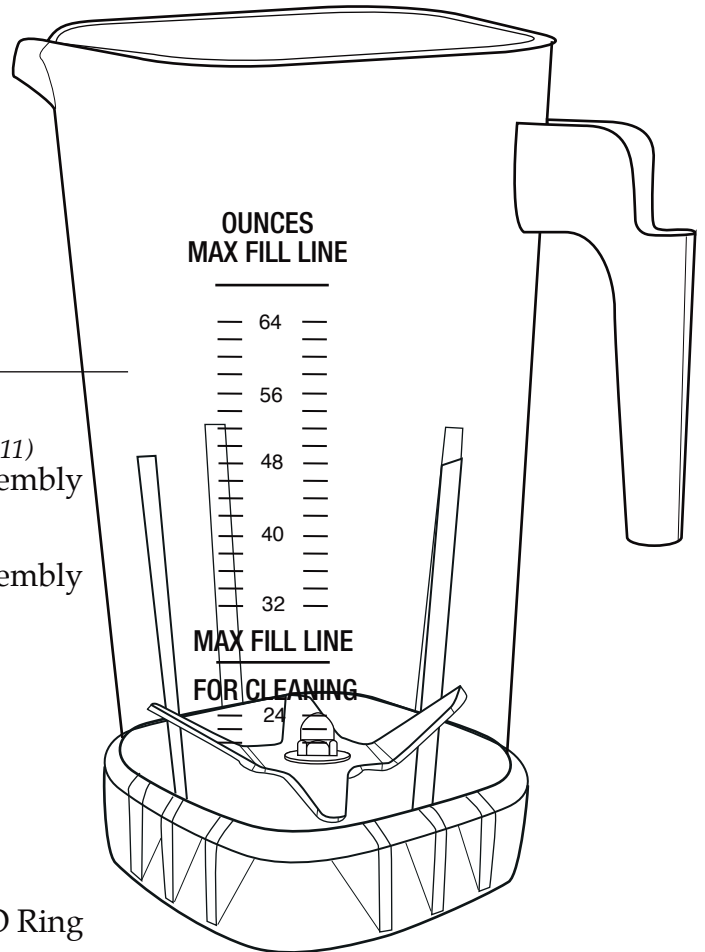
026425-E - Eastman Jar Lid Cover
(changed after 4/29/2010)



026424-V - Vinyl Jar Lid
(changed after 12/12/2012)



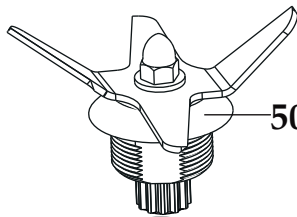
026612
NSF Component



503326
Container ONLY

503398 *(on units after 2/16/2011)*
Container with Blending Assembly

503350
Container with Blending Assembly



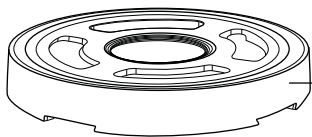
503397 - Blade Assembly
(changed after 2/16/2011)



024271 - Bearing Holder O Ring

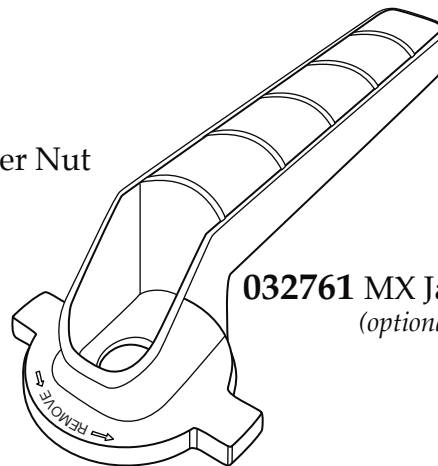


024268 - Nut Gasket



029631 - Bearing Holder Nut

030889 Blending Assembly Kit



032761 MX Jar Wrench
(optional)