



- Specifications of Product:
- * Heated banquet with single inox door
 - * 430 quality stainless steel
 - * The convection-heated banquet trolleys can be used dry or with moist air, depending on what is best for your food.
 - * Digital control with cabinet temperature display and setting. Fully compliant HACCP digital controls include visible alarms.
 - * Large storage area suitable to contain 2/1 GN containers or shelves on anti-tilt pressed runners.
 - * Optimized bottom to up forced air flow provide even temperature distribution and fast heating in any conditions.
 - * Cabinet fitted with up to 70 mm thickness of polyurethane insulation for best insulating performance with 100% environmental protection.
 - * Removable triple-chamber balloon magnetic gasket to improve insulation and reduce energy consumption.
 - * Spacers on the sides-end ensure that the convection air in the interior of the banquet trolley can circulate all around, achieving temperature distribution which is as even as possible.
 - * The slide-in convection-heated module can be removed particularly easily.
 - * The water tank for the moist-air heating can also be removed conveniently.
 - * Manual water refilling.

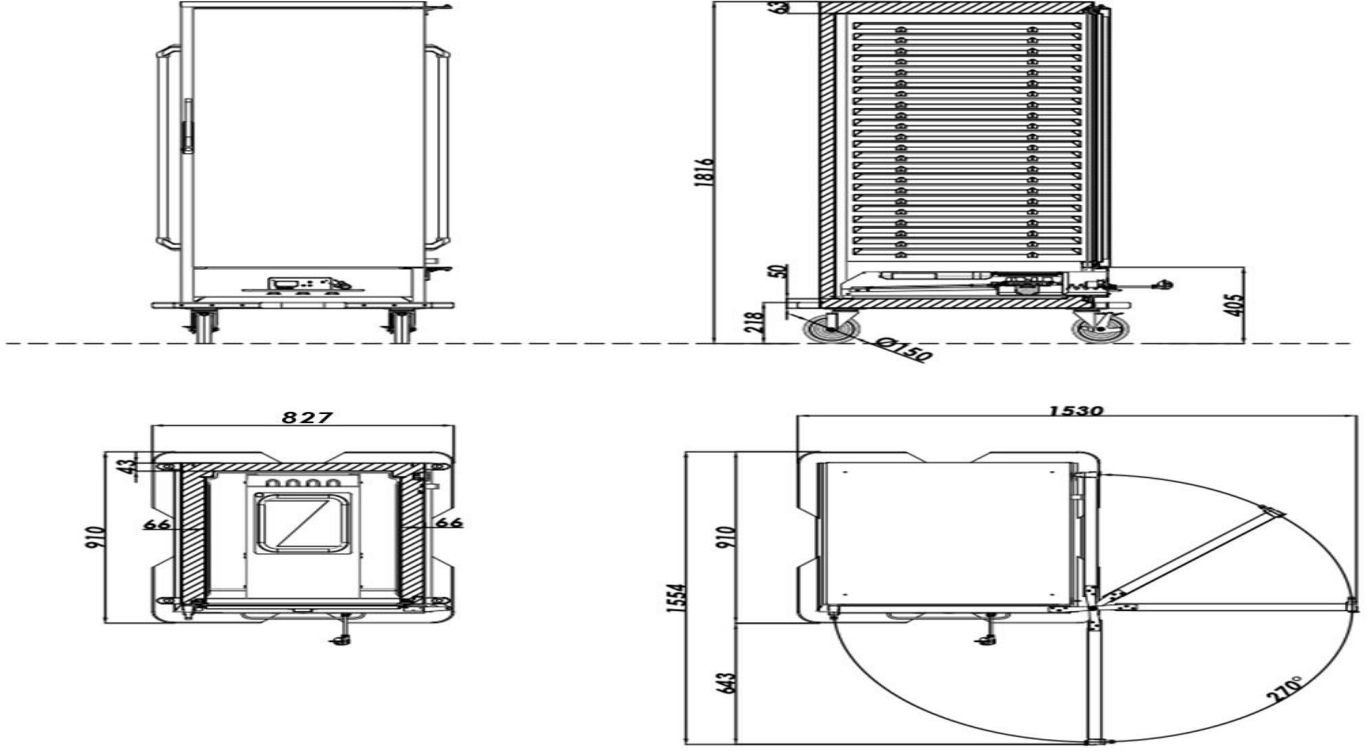
Optional Accessory: * Stainless steel shelf

Product Dimensions

Length of Product (mm): 910
 Width of Product (mm): 827
 Height of Product (mm) H: 1816
 Net Weight (Kg): 117
 Gross Weight (Kg): 128
 Volume of Product (m3): 1,36
 Capacity: GN 2/1 x 11

Package Dimensions

Leght of Package (mm): 920
 Width of Package (mm): 840
 Height of Package (mm): 1960
 Volume of Package (m3): 1,51
 Product Number in Package: 1



Electrical Specifications

Electrical Power (kW).....: 2 kW
 Volt (Monophase/Triphase): 230 V – NPE
 Electrical Frequency (Hz).....: 50/60 Hz

Gas Specifications

Gas Type



Cumhuriyet Mah.Hadımköy,Yolu Caddesi No:8 1Nolu Ba ımsız Bölüm
Büyüçkekmece stanbul / TÜRK YE VD: BüyükMükellefler VKN: 7080013433

Phone.: 00 90 212 8867800

Fax No: 00 90 212 8867809

Other Technical Specifications

Cooling Gas.....:---

Max Noise (dBA): 60

Protection Class.....: IP2X