

Family
COOKING EQUIPMENT STAR 90

Section
CHARCOAL GRILLS

Model
NGPL98G

Code
CR0983880

LAVA ROCK GRILL - 800 MM

Counter-top lava rock grill in AISI 304 stainless steel. Heated by stable-flame steel burners with pilot burner and safety thermocouple. Two independent cooking zones. Gas supply controlled by gas tap with safety valve. The cooking grill has two height settings to ensure optimum grilling. Removable grease collection tray for easy cleaning. Supplied with rod grill.



Technical data

Width mm:	800	Internal dim. oven mm:	
Depth mm:	900	Oven capacity:	
Height mm:	250	Oven power kW:	
Weight kg.:	93.00	Qty heating zones:	2 x 12,5 kW
Volume m ³ :	0.40	Plate dim. mm:	780 x 645
Power supply:		Dim. heating zone mm:	
Gas power kW:	25.00	Qty tank:	
Electric power kW:		Tank dim. mm:	
		Tank capacity l:	

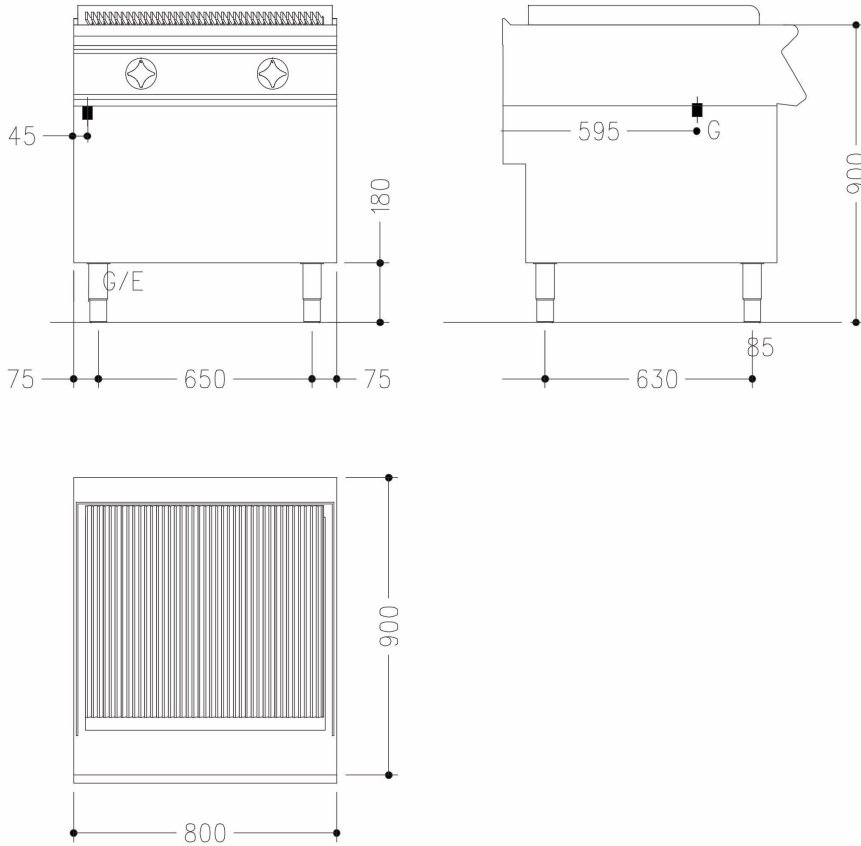
Family
COOKING EQUIPMENT STAR 90

Section
CHARCOAL GRILLS

Model
NGPL98G

Code
CR0983880

LAVA ROCK GRILL - 800 MM



Legend

(E) Socket 1:

(E) Socket 2:

(G) Gas: Ø3/4" - H=670mm

(AD) Softened water:

(AF) Cold water:

(AC) Hot water:

(S) Draining 1:

(S) Draining 2:

(FR) In e out freon:

(V) Steam: